



MA-4 Positive Displacement Meter

LPG Delivery Vehicles

General Information

Liquid Controls MA-4 Meters are specially designed for LPG Delivery Vehicles. These meters feature an aluminum body with integral, bolted on strainer/vapor eliminator, differential valve, back check valve, and mechanical or electronic register. No metal-to-metal contact inside the metering chamber minimizes internal wear and assures sustained accuracy.

The accuracy, linearity and repeatability of the meter exceed all requirements of NIST Handbook 44 and OIML R117. Definition of terms per ANSI/ISA- 51.1.



Specifications

Materials of Construction

Housing

Cast aluminum

Internal components

Aluminum, Ni-Resist, and stainless steel

Seal materials

Buna N (UL recognized component)

Differential Valve

Ductile Cast Iron

Flow Range

5 to 30 GPM (18.9 to 113.6 LPM)

Operating Pressure

350 PSI (24.1 Bar)

Temperature Range

-40 to +160° F (-40 to +71.1° C)

Connections

1" NPT Threaded

Linearity

±0.6% (±1% at 5 to 17.5 GPM - low flow)

Repeatability

0.24%

Custody Transfer

NTEP (USA)

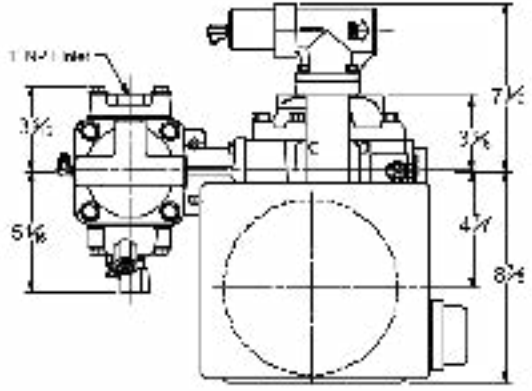
Safety

NFPA 58, UL 25



MA-4 Positive Displacement Meter (Delivery Vehicles)

Dimensions



Consult the factory when certified engineering drawings are required. Dimensions shown are not suitable for construction or modifications

